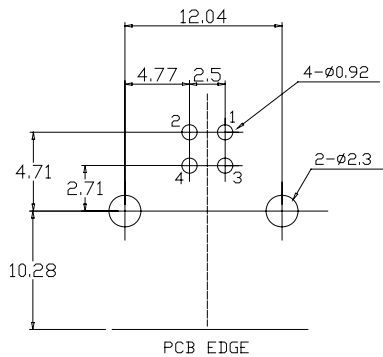
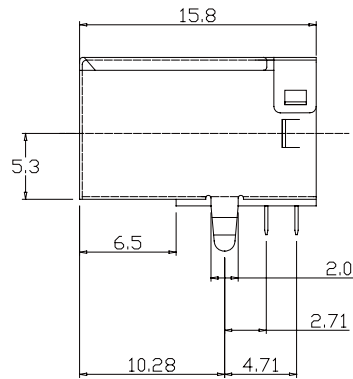
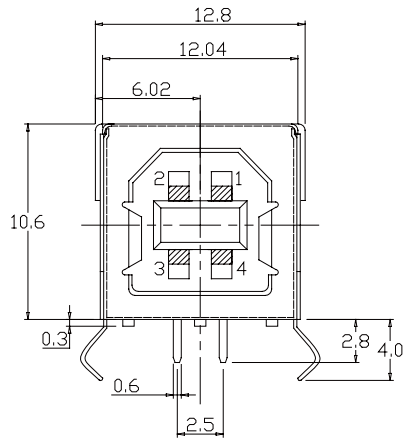


BY	CHK	REVISION RECORD MODIFICATIONS	DATE	REV.
ALLEN		RELEASE TO PRODUCTION	2007,9,10	1 0



(COMPONENT SIDE)
PCB LAYOUT

Part No.: USB-001F-B -L

B: Black W: White

No.	NAME	MATERIAL	FINISH	REMARK	Q'TY
1	HOUSING	P.B.T. G.F.	BLACK/WHITE		1
2	PIN TERM.	COPPER ALLOY T:0.25	GOLD/TIN PLATED	Ni:1~1.5u TIN:3u GOLD:1~3	4
3	SHELL	BRASS T:0.3	NICKEL PLATED	NI:2~3u	1

APPRO	CHECK	DRAWN	PART NO.	Part No.:USB-001F-B-L			DESCRIPTION	
			ITEM NO.					
			DRAW NO.					
			UNIT	mm	SCALE	no		
			TOLER		NO.			
							Tel: 0769 22020068 Fax: 0769 22020069 E-mail: sales@vigortec.com	